

HANDY-JOG



The Challenge Machinery Company
6125 Norton Center Drive
Norton Shores, MI 49441 USA
Phone: 231.799.8484 Fax: 231.798.1275
www.ChallengeMachinery.com



HANDY-JOG

Features

- Front-side loading
- Three trays to choose from
 - Standard
 - Check Tray
 - Large 11 x 17" Tray
- Up to 11" x 17" stock size
- Powerful jogging action
- Quiet operation
- Maintenance-free drive mechanism
- Optional "Instant-On" footswitch



Large Tray



Check Tray

Why is jogging necessary?

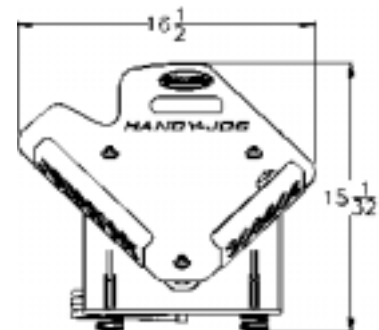
An inherent problem in today's digital environment is the amount of static electricity that is present in digitally printed paper. This issue makes it difficult to properly align stacks of print for additional processing, such as to make a book or to feed product into a folder or collator. Joggers make it easier to cleanly stack a pile of paper by bouncing the stack while the operator handles it. Logically, it makes sense to have a jogger that is convenient and easy to use next to every piece of bindery equipment.

The Handy-Jog Solution

Challenge makes paper jogging more affordable than ever! The Handy-Jog is a low-cost, highly effective jogger that fits into the most cost-conscious budget. With its small footprint, the Handy-Jog can be placed beside any machine in the most crowded shops. Its high power and quiet operation efficiently jogs paper up to 11" x 17". Unlike other low cost joggers that have motors, bearings, and rubber couplings, the Handy-Jog has no moving parts that will wear or require maintenance! Also, unique to the Handy-Jog is the optional footswitch that makes operation convenient and efficient.

Specifications

- | | |
|-----------------------------|-------------------------------|
| • Pile height | 3" maximum/7.6 cm |
| • Stock size | up to 11" x 17"/28 cm x 43 cm |
| • Tray dimensions | 11" x 13-1/2"/28 cm x 34 cm |
| • Width | 16-1/2"/42 cm |
| • Depth | 9-1/4"/23.5 cm |
| • Height | 14-29/32"/38 cm |
| • Net weight (approx.) | 15 lbs./6.8 kg |
| • Shipping weight (approx.) | 17 lbs./7.7 kg |



Standard Tray

Electrical

- 120 Volt, Single-phase, 60 Hz, 0.5 amp (15 Amp service size)
- UL pending